



Diamond Coated Dies

Cabling tools

www.estevesgroup.com



Highlights

- Smooth cable surface
- Low friction coefficient
- Available for large diameters

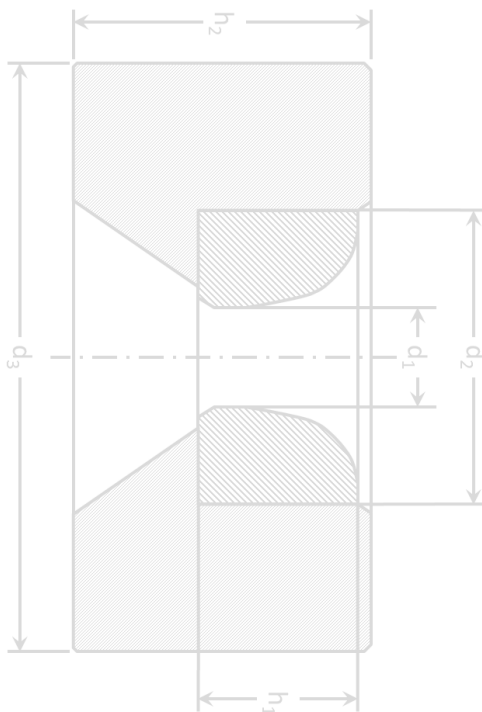
Excellent conductivity through the use of diamond coated dies enable cable makers to cut costs.

State-of-the-art diamond coating technology and tight diameter tolerances of Esteves Group diamond coated dies give the cable company the ability to save material and manufacturing costs.

The ultra-smooth layer of diamond on a tungsten carbide die ensures the **smoothest wire and cable surface that is possible today**. The diamond coated die is the ideal combination of the large-size availability of tungsten carbide and the ideal surface properties of randomly oriented synthetic diamond.

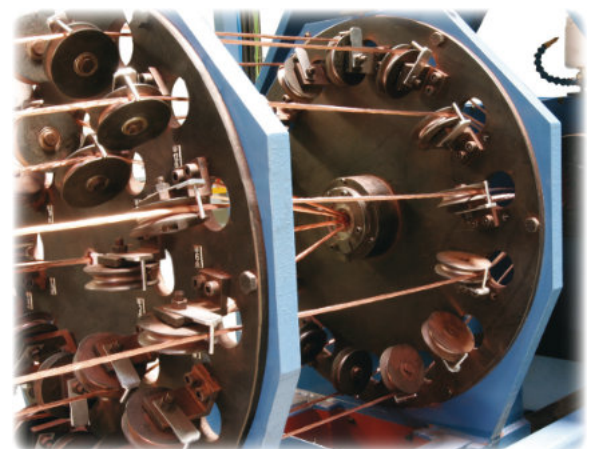
A **smoother conductor surface** leads to higher conductivity than was previously obtainable by using tungsten carbide or PCD dies. This enables a cable manufacturer to save conductor material as the same conductivity is obtained with a lighter cable. Diamond coated dies reduce the power required to bunch, strand, or compact the conductor by minimizing friction.

Material savings and lower **power usage** add up to more profit.



We specialize in

- Wire Drawing Dies
- Bunching, stranding & compacting dies
- Split Dies
- Tubing Dies
- Shaped Dies
- Extrusion Tooling
- Die Reconditioning Tools
- Engineering Services
- Customer Support





Diamond Coated Dies

Cabling tools

Key Features

- Ultra-smooth tool surface
- Low friction coefficient
- High diameter accuracy
- High wear resistance
- Available even for large diameters

Benefits

- Conductor wire or cable material savings
- Reduced power usage
- Long diameter stability
- High machine uptime
- Excellent wire or cable surface

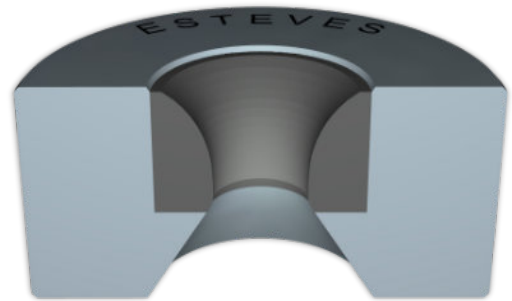
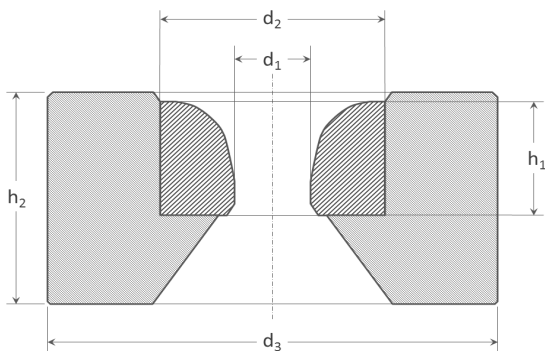
Diamond Coated Die specifications

Standard size range	.032 - 4.00" [0,813 - 101,6 mm]
Standard tolerance	Tolerance depends on hole diameter
Available angles	Matched to your stranding process
Standard angle tolerance	$\pm 2^\circ$
Standard casing size	Matched to your stranding machine

Virtually any diamond coated die size larger than .32" (0.8 mm) is available. Please contact Esteves Group for a quotation for your wire and cable tooling.

Diamond coated compacting die example below:

.787" (20mm) die in a 75x45mm casing



Various drawing die types, cabling tooling, and extrusion tools are available. Please contact Esteves Group for a quotation for your wire and cable tooling.

Drawing, and cabling tooling below:

TC dies, PCD dies, SSOD dies, bunching and stranding dies, split dies, extrusion tools

